

The Atlas Copco logo is positioned in the top left corner. It consists of the brand name "Atlas Copco" in a white, italicized serif font, centered between two horizontal teal bars. The background of the entire page is a long-exposure photograph of a city skyline at night, with light trails from traffic on a multi-level highway in the foreground. A technical drawing of a compressor is overlaid on the bottom right corner.

Atlas Copco

Atlas Copco mobility air systems

Oil-free Pantograph Compressor LFpR/LFxR

The compact, low-maintenance pantograph compressor

For use on any electrically driven vehicle with a pneumatic pantograph, LFpR and LFxR oil-free piston pantograph compressors offer a space-saving design, easy installation and low maintenance. Available from 40 to 83 l/min (1.4 to 3 cfm) free air delivery.



Features and benefits

Space-saving design

- Minimized footprint with one single access side for easy maintenance.
- LFxR is available with a complete dryer system, in S1 version for continuous operation and with control cubicle, all integrated in a very compact compressor package.

Enduring performance

- The compressor is designed, built and tested to meet the toughest mobility applications (extreme climatic conditions, high humidity, shocks and vibrations).
- Built in accordance with international railway standards.
- Proven technology used in many applications worldwide.



Oil-free compressor

- Environmentally friendly oil-free piston.
- Less maintenance.



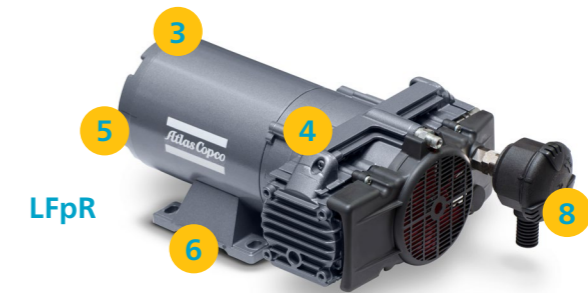
Reliability and durability

- An absolute minimum of moving parts.
- Corrosive resistant materials.
- Long service intervals.
- Direct drive concept.

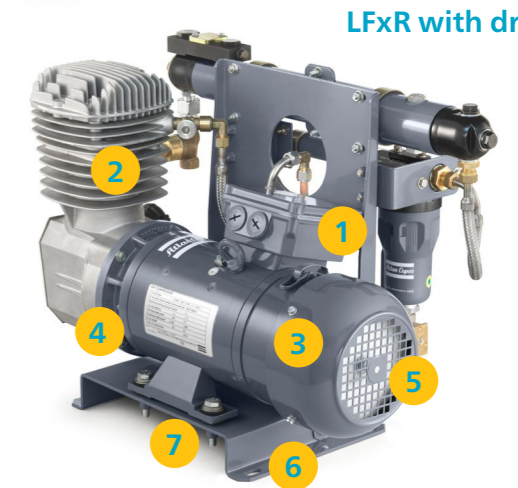


Flexible and easy installation

- Plug and play system.
- Easy access to main connections



LFpR



LFxR with dryer

- 1 Metal terminal box with IP65 classification for easy and safe connection.
- 2 Outlet arrangement at the same side of the terminal box and inlet filter for easy installation and maintenance.
- 3 Railway-approved IP55 DC-motor with start capabilities between -40 °C/-40 °F and 50 °C/122 °F (LFpR) -40 °C/-40 °F and 70 °C/158 °F (LFxR).
- 4 Top quality, direct drive, oil-free power block with patented super flow for high performance and extended lifetime, even in the worst ambient conditions.
- 5 Fully balanced, smooth running operation due to optimized flywheel.
- 6 Robust motor frame ensures stable and reliable mounting.
- 7 Integrated vibration dampers for a minimum transfer of vibrations from and to the compressor.
- 8 Heavy duty air intake filter for efficient operation in dusty environments.

Options

LFxR: available with complete dryer package

A complete packaged unit including after-cooler, water separator filter and membrane dryer to achieve an outlet air quality of 1.2.0 according to ISO 8573-1. Less maintenance.

LFxR for S1 continuous operation

Compressor unit with cooling air flow leading canopy and cooling air fan, allowing S1 continuous operation, also with complete dryer package and control cubicle available.

LFxR: available with control cubicle

To be able to control the unit as stand-alone without expensive system integration.



Technical specifications

Compressor type	Capacity*			Installed motor power		Pressure**		Sound pressure level	Weight	
	l/s	l/min	cfm	kW	hp	bar(e)	psig	dB(A)	kg	lbs
24-110 VDC version										
LFpR 0.7	0.67	40	1.41	0.5	0.7	10	145	65	16	35
LFxR 0.7	1.02	61	2.16	0.5	0.7	10	145	65	39	86
LFxR 1.0	1.38	83	2.92	0.7	1.0	10	145	65	39	86

Reference conditions:

Absolute inlet pressure: 1 bar (14.5 psi)

Intake air temperature: 20 °C (68 °F)

Effective working pressure: 9.5 bar (138 psi)

Mean noise level measured according to ISO 2151/Pneurop/Cagi PN8NTC2 at 4.6 meter free field

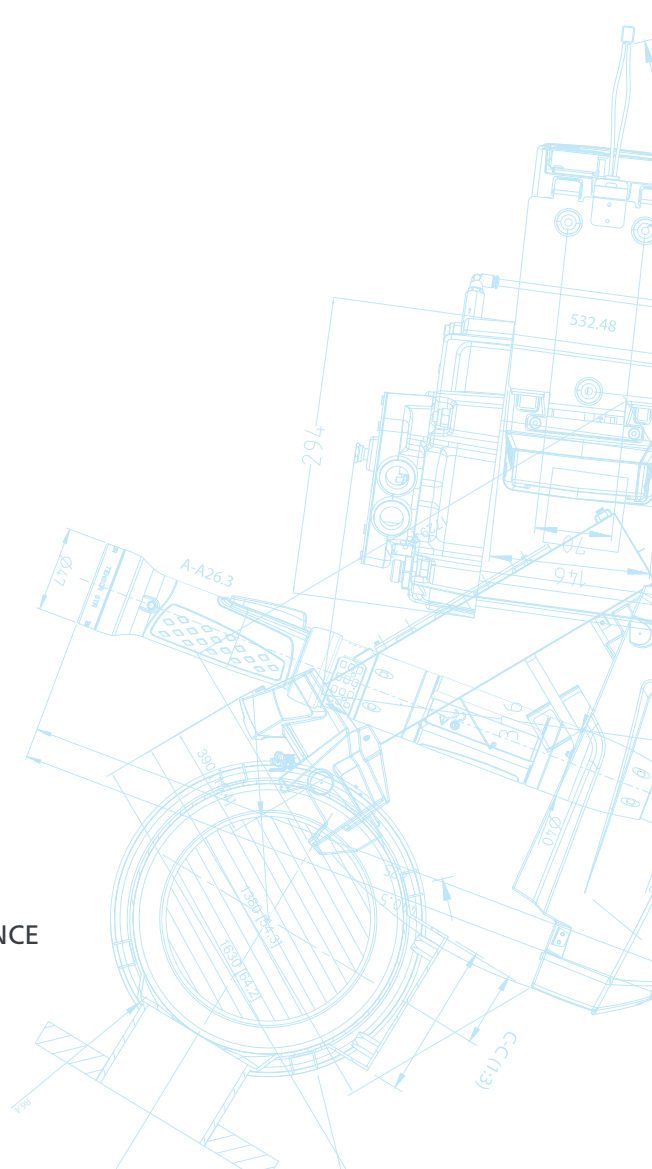
* Unit performance measured at a standard unit (before dryer) according to ISO 1217, Annex C, latest edition

** Outlet pressures possible between 6 and 13 bar

Duty cycle temperature limitation:

S2-30 : up to +40 °C / 104 °F

S2-10 : more than +40 °C / 104 °F



Atlas Copco Mobility Solution

165 rue Pierre Curie 60230 Chambly FRANCE

Phone: +33 1 393 73 30 00

Reg. no: FR 41 388 163 099

atlascopco.com

Atlas Copco